

Eclipta - ECL Series

Edge Card Connectors

Medical Connectors Featuring Edge Card Contact Technology



Eclipta - ECL Series

Edge Card Connectors



State of the art medical devices designed for diagnostic and therapeutic systems, such as mapping and ablation catheters, require repeated mating between reusable and disposable electronic components. As a result, system reliability and durability is critical.

Smiths Interconnect's Eclipta Connector Series addresses the industry's need for a reliable interconnect system with minimal cost. Eclipta connectors incorporate an innovative double-ended, edge card contact system featuring a PCB as the contact on the disposable connector side. This reduces both the cost and potential damage of male pins traditionally found in such a system.

The Eclipta module, located in the reusable connector body, has 34 contacts which are designed for high mating cycle life, providing reliable connection over the life of the reusable device. Terminating to these modules is a simple matter of plugging another PC board, to which the fine wires in the cable can be mass terminated, into the back of the module. This also makes field servicing of the reusable cable an easy process of unplugging the existing plug and replacing it with a new one.

Modules are also available with 14, 58, and 82 contacts. For custom connector flexibility, multiple modules can be combined in a single connector, either in line or in parallel, to meet specific customer needs.

By combining superior high reliability technology into a disposable, low cost solution, the Eclipta connector joins Smiths Interconnect's portfolio of world-class interconnect solutions for the medical market.

Specifically
designed to meet
medical industry
requirements

Features & Benefits

Eclipta edge card technology

- Double-ended edge card contact design
- Mates to PCB on the disposable connector side
- Patented technology: US Patent #8727795 B2

PCB connection

- Fine pitch edge card contacts allow for smaller footprint in medical equipment
- Reusable connector is fingerproof (meets the requirements of IEC 60601-1) for patient and medical personnel safety
- Eliminates bent pin damage
- Mass termination

High mating cycle life

- Up to 2,500 mating cycles
- Increases Mean Time Between Failure (MTBF) of reusable side

Plug and play design

- Minimizes assembly time and inventory costs
- Rugged plug mates either to (PCB inside) the disposable device or directly to the system

Sterilizable connector

- Meets typical medical sterilization requirements (Autoclave, EtO and Sterrad^{®1} protocols)

Quick, intuitive mating

- Unique connector shape and available keying ensures correct mating in fast-paced medical settings
- Simple push-button active latch prevents inadvertent unmating and provides audible feedback

Embedded electronics

- Allows for greater design flexibility

Technical Characteristics

Mechanical

Number of Contacts	34
Contact Pitch	0.60 mm staggered contact spacing
Mating/Unmating Force (34 contacts)	Mating force = 8.5 lbs max, unmating force = 7.0 lbs max
Mating Cycle Life (reusable side)	Up to 2,500
Storage/Processing Temperature Range (unmated)	-40°C to +135°C (100°C max for disposable receptacle)
Operating Temperature Range	-10°C to +65°C*
Sterilization (reusable side)	Steam autoclave, EtO, Sterrad® ¹ (20 cycles each)
Fingerproof (reusable side)	Meets the requirements of IEC 60601-1 (tested per ANSI/IEC 60529-2004)
IP Rating	IP 30 Meets the requirements of IEC 60601-1 (tested per ANSI/IEC 60529-2004)
RoHS	Compliant

*For optimal performance, the suggested operating temperature range is -10°C to +50°C

Electrical

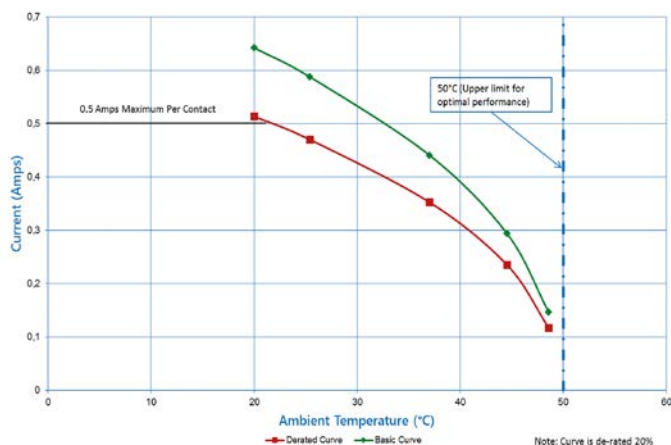
Current Rating (at room temperature ~25°C)	0.5 A per contact (2.0 A for a single contact)
Contact Resistance	< 40 mΩ per contact (average values, measured after testing - see test report for details)
Insulation Resistance	> 5000 MΩ @ 500 VDC
DWV (Dielectric Withstanding Voltage)	550 VDC

Material & Finishes

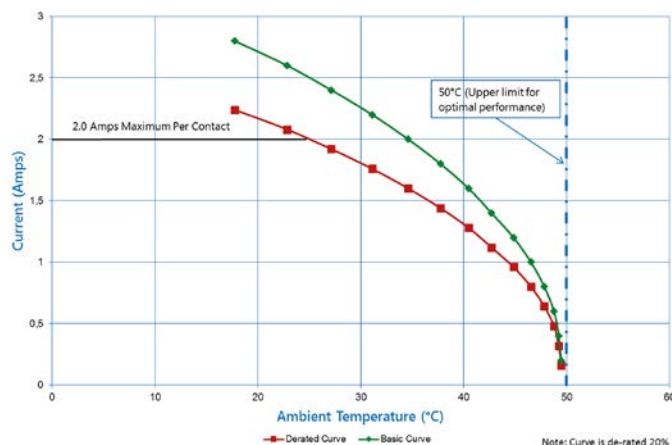
Contacts	BeCu, selective gold over nickel plating
Insulator	LCP (Liquid Crystal Polymer)
Connector Body	Plugs and reusable receptacle: Polyphenylsulfone (PPSU) Disposable receptacles: Polycarbonate (PC)

Derating Curves

Current-Carrying Capacity Curves - All Contacts Energized
Reusable Plug and Disposable Receptacle (Mated Pair)



Current-Carrying Capacity Curves - Single Contact Energized
Reusable Plug and Disposable Receptacle (Mated Pair)



How To Order



E C L
1

3 4
2

3
3

4
4

-
5

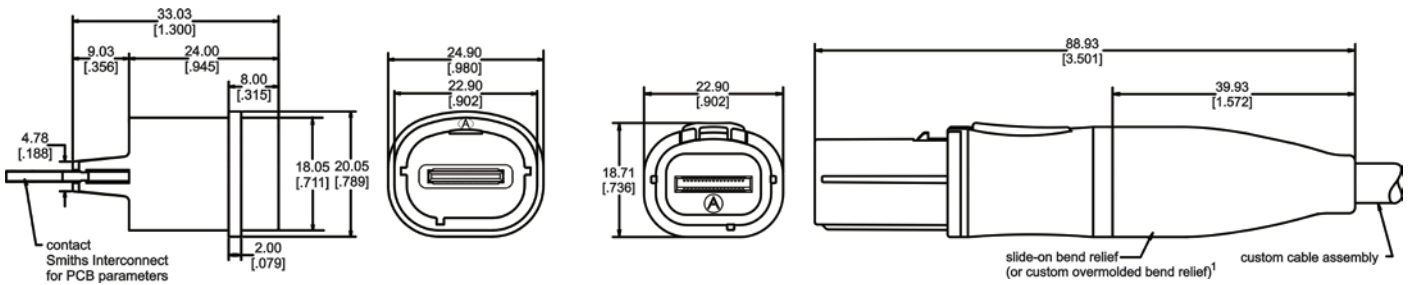
1 Series	E C L Eclipta <i>[Fixed]</i>	
2 Contact Positions	3 4 34 <i>[Fixed]</i>	
3 Types	E D Disposable Receptacle	E R Reusable Receptacle w/Edge Card Contact Module
	P D Disposable Plug	P R Reusable Plug w/Edge Card Contact Module
	N D Disposable Plug without strain relief boot (overmoldable connector)	N R Reusable Plug without strain relief boot (overmoldable connector) w/Edge Card Contact Module
4 Keying	A Standard B C D E F Additional Keying Options	
5 Suffix	Omit for standard PCB included in the connector kit	
	- N PCB not included in the connector kit	
	- * TBD for custom PCB (<i>please contact Smiths Interconnect for details</i>)	

Eclipta - ECL Series

Edge Card Connectors

Disposable receptacle/reusable plug

Disposable receptacle with PCB contact mating to reusable plug

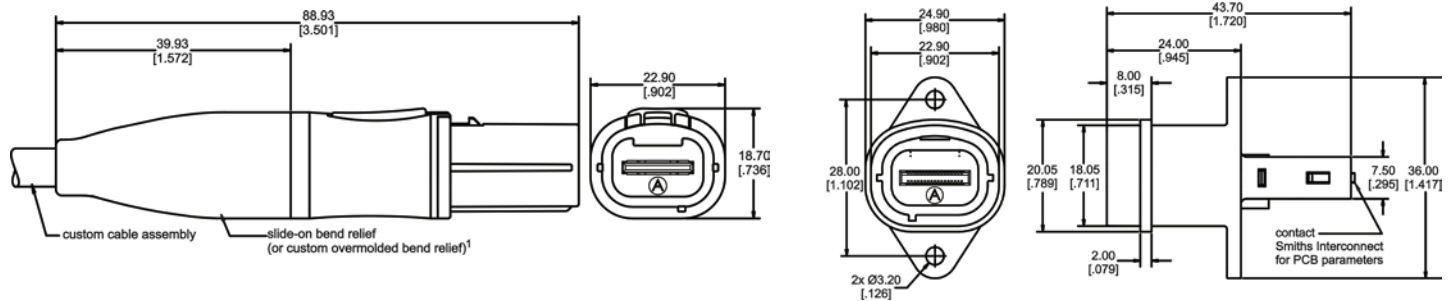


DISPOSABLE ECLIPTA RECEPTACLE

REUSABLE ECLIPTA PLUG

Disposable plug/reusable receptacle

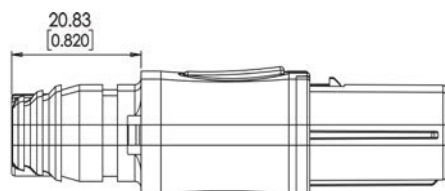
Disposable plug with PCB contact mating to reusable receptacle



DISPOSABLE ECLIPTA PLUG

REUSABLE ECLIPTA RECEPTACLE

Plugs without strain relief boots



Note: ¹ Contact Smiths Interconnect for more information

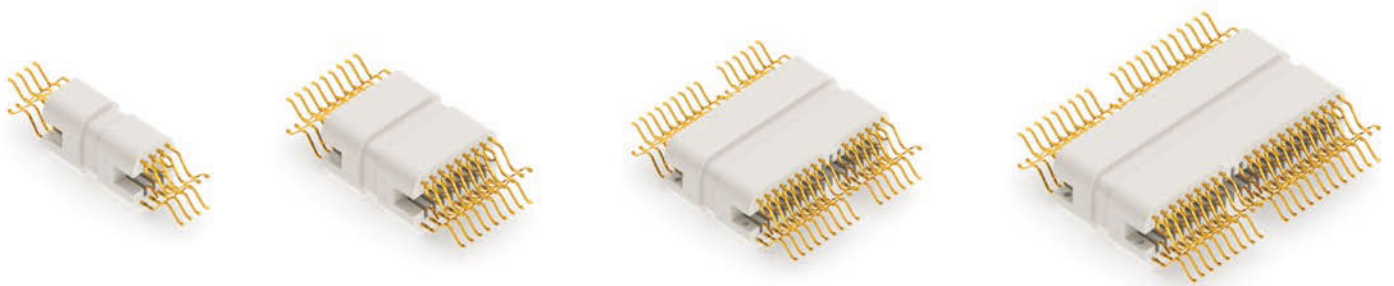
Dimensions are in mm [inches]

Eclipta - ECL Series

Edge Card Connectors

Eclipta module sizes

Eclipta contact modules, located in the reusable connector, are available in four standard sizes (14, 34, 58 and 82 contacts) providing flexibility for custom connector designs. Please contact Smiths Interconnect for more information.



Disclaimer 2018

All of the information included in this catalogue is believed to be accurate at the time of printing. It is recommended, however, that users should independently evaluate the suitability of each product for their intended application and be sure that each product is properly installed, used and maintained to achieve desired results.

Smiths Interconnect makes no warranties as to the accuracy or completeness of the information, and disclaims any liability regarding its use.

Smiths Interconnect reserves the right to modify design and specifications, in order to improve quality, keep pace with technological development or meet specific production requirements.

No reproduction or use without express permission of editorial and pictorial content, in any manner.

Global Support

UK Headquarters

- London, UK
+44 20 7004 1600
info.uk@smithsinterconnect.com

US Headquarters

- Stuart, FL
+1 772 286 9300
info.us@smithsinterconnect.com

Americas

- Costa Mesa, CA
+1 714 371 1100
info.us@smithsinterconnect.com
- Milpitas, CA
+1 408 957 9607 x 1125
info.us@smithsinterconnect.com
- Stuart, FL
+1 772 286 9300
info.us@smithsinterconnect.com
- Hudson, MA
+1 978 568 0451
info.us@smithsinterconnect.com
- Northampton, MA
+1 413 582 9620
info.northampton@smithsinterconnectinc.com
- Tampa, FL
+ 1 813 901 7200
info.tampa@smithsinterconnectinc.com
- Kansas City, KS
+1 913 342 5544
info.us@smithsinterconnect.com
- Salisbury, MD
+1 800 780 2169
info.us@smithsinterconnect.com
- Thousand Oaks, CA
+1 805 267 0100
info.thousandoaks@smithsinterconnectinc.com

Europe

- Deggendorf, Germany
+49 991 250 120
info.de@smithsinterconnect.com
- Genova, Italy
+39 0 10 60361
info.it@smithsinterconnect.com
- Dundee, UK
+44 1382 427 200
info.dundee@smithsinterconnect.com
- Rouen, France
+33 2 32 96 91 76
info.fr@smithsinterconnect.com
- Elstree, UK
+44 20 8236 2400
info.uk@smithsinterconnect.com

Asia

- Shanghai, China
+86 21 3318 4650
info.asia@smithsinterconnect.com
- Suzhou, China
+86 512 6273 1188
info.asia@smithsinterconnect.com
- Singapore
+65 6846 1655
info.asia@smithsinterconnect.com

more > [smithsinterconnect.com](https://www.smithsinterconnect.com) | [in](#) [twitter](#) [G+](#) [YouTube](#)